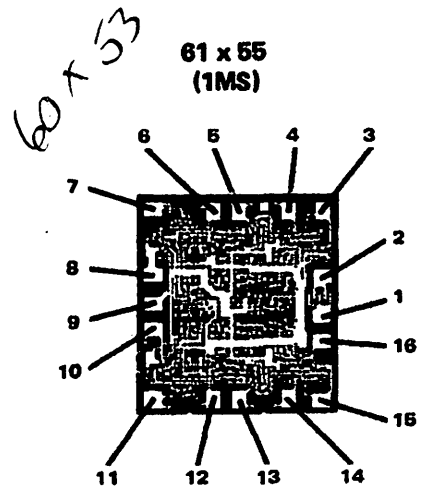
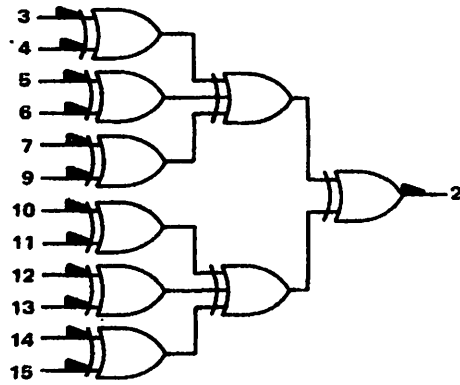
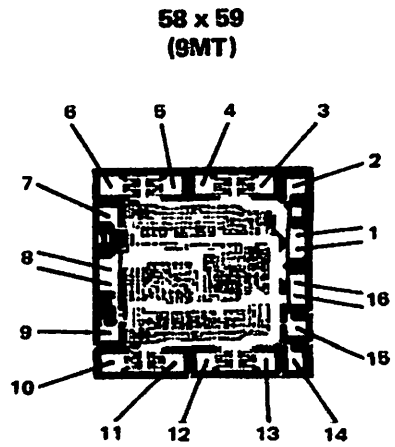
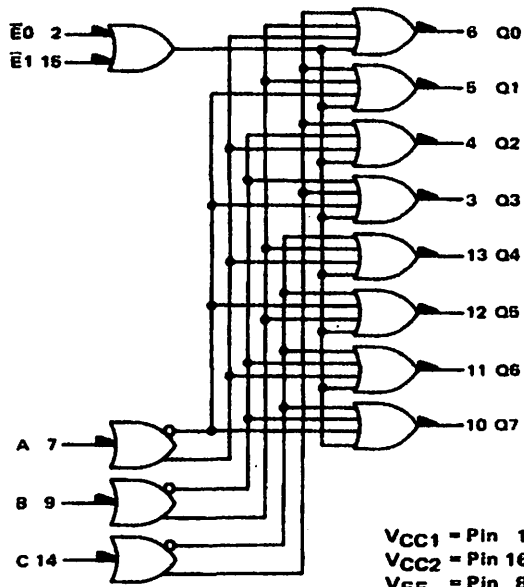


MCC10160/MCC10560
12-Bit Parity Generator/Checker



VCC1 = Pin 1
 VCC2 = Pin 16
 VEE = Pin 8

MCC10161/MCC10561
Binary to 1-8 Line Decoder (Low)



VCC1 = Pin 1
 VCC2 = Pin 16
 VEE = Pin 8

6